

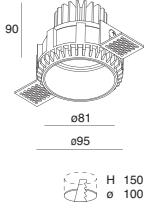
## WELL

Figura Image NR. SORGENTI NR. LIGHT SOURCES

3000K

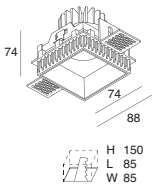
4000K

### TONDO



1

### QUADRATO



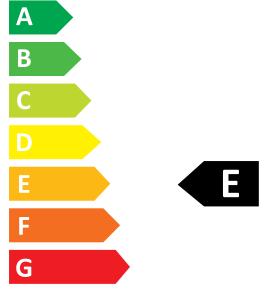
2

1



CITIZEN ELECTRONICS CO., LTD.

CLU0B0-0603C1-303H5M3



5 kWh/1000h

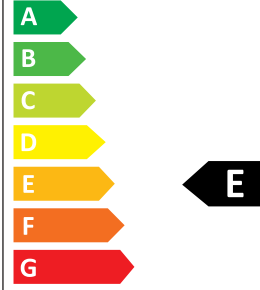


2019/2015



CITIZEN ELECTRONICS CO., LTD.

CLU0B0-0603C1-403H5M3



5 kWh/1000h



2019/2015

Figura Image

1

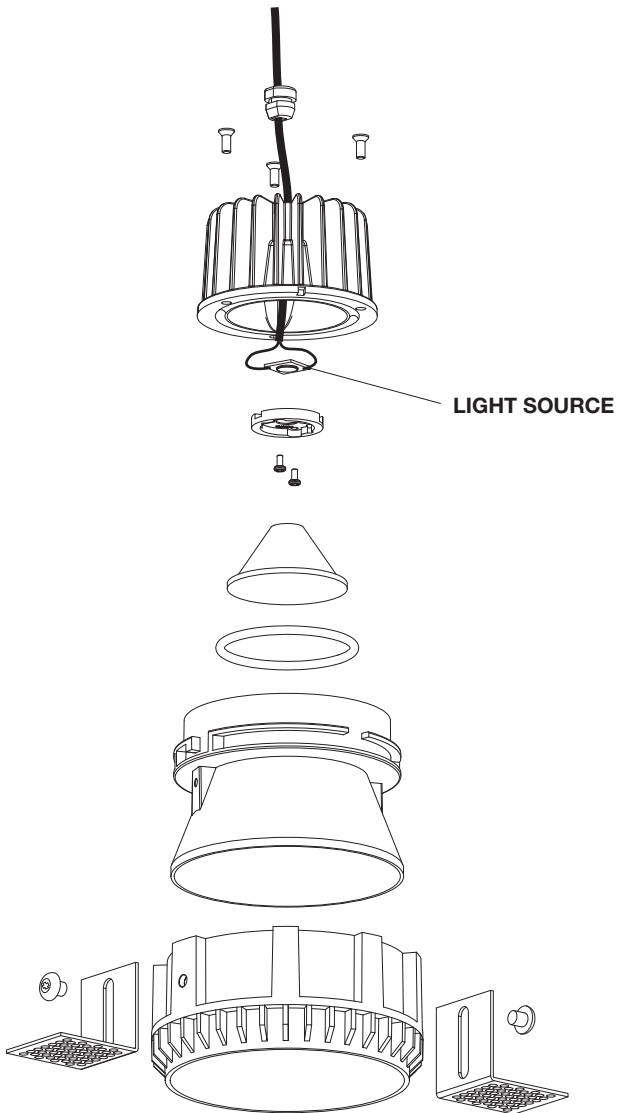
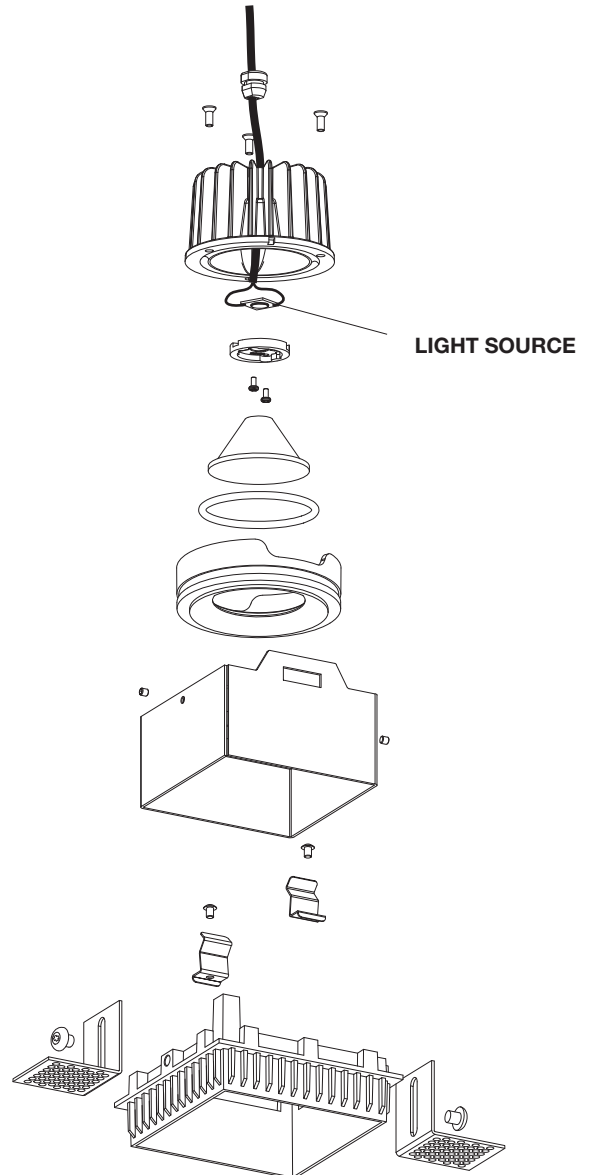


Figura Image

1

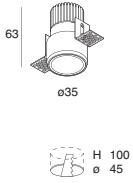


## MINI WELL

Figura Image NR. SORGENTI NR. LIGHT SOURCES

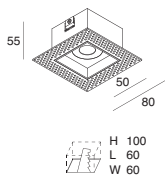
3000K

### TONDO



1

### QUADRATO



2

**Bridgelux**  
BXRE-30G0400-B-83

A	
B	
C	
D	
E	
F	<b>F</b>
G	

**10**  
kWh/1000h

2019/2015

Figura Image  
1

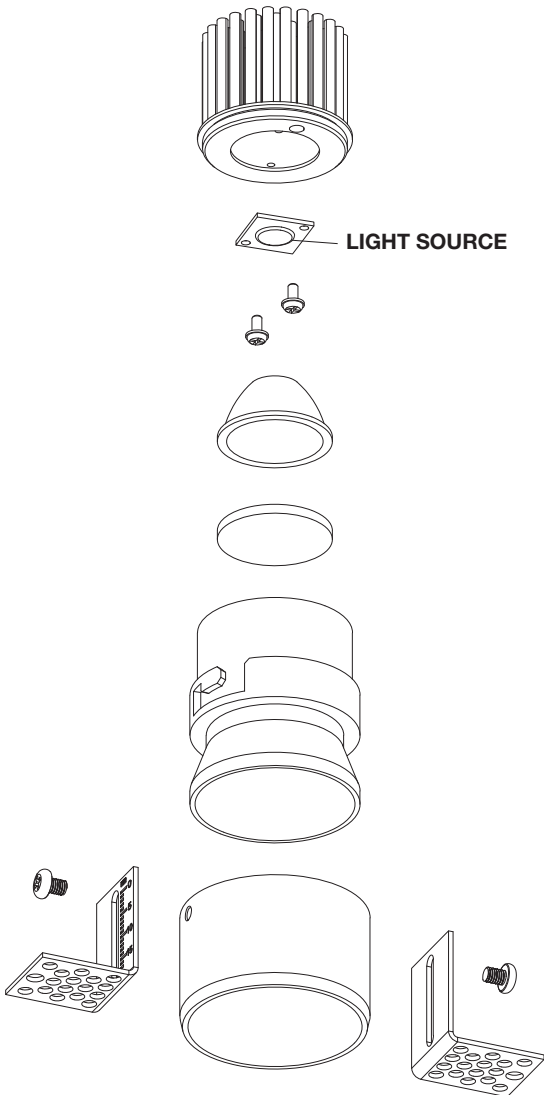


Figura Image  
2

