

SLIM CCT DAL 01/06/206

Ø (mm)

NR. SORGENTI
NR. LIGHT SOURCES

Sorgenti
Light Sources

3000K

Figura
Image

TONDO
ROUND

125

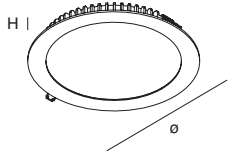
1 (TIP.A)

160

1 (TIP.B)

230

1 (TIP.C)



ENERGY

NOVALUX srl
442500319

A
B
C
D
E
F
G

D

9
kWh/1000h

2019/2015

TIP.A

ENERGY

NOVALUX srl
442500321

A
B
C
D
E
F
G

D

13
kWh/1000h

2019/2015

TIP.B

1

ENERGY

NOVALUX srl
442500323

A
B
C
D
E
F
G

D

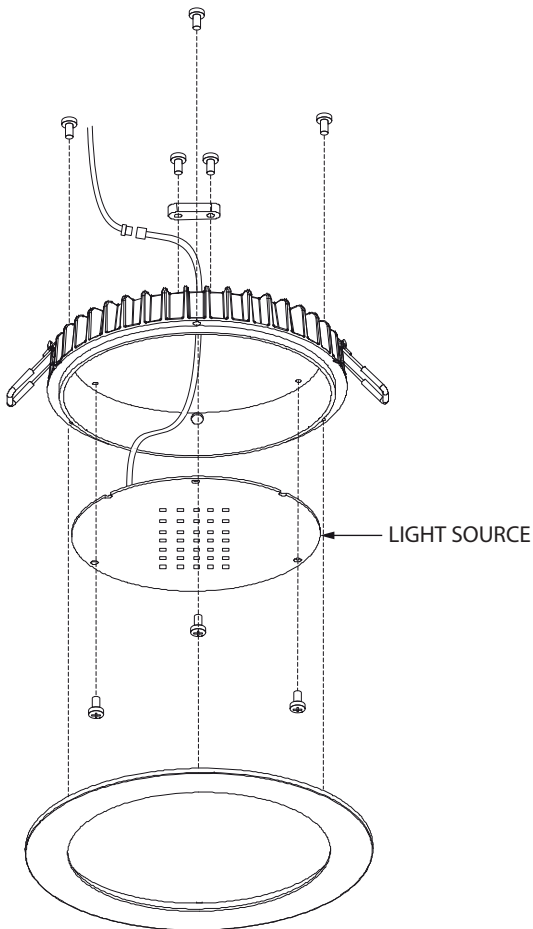
18
kWh/1000h

2019/2015

TIP.C

Figura
Image

1



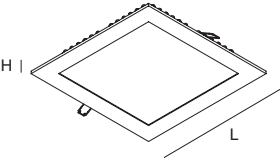
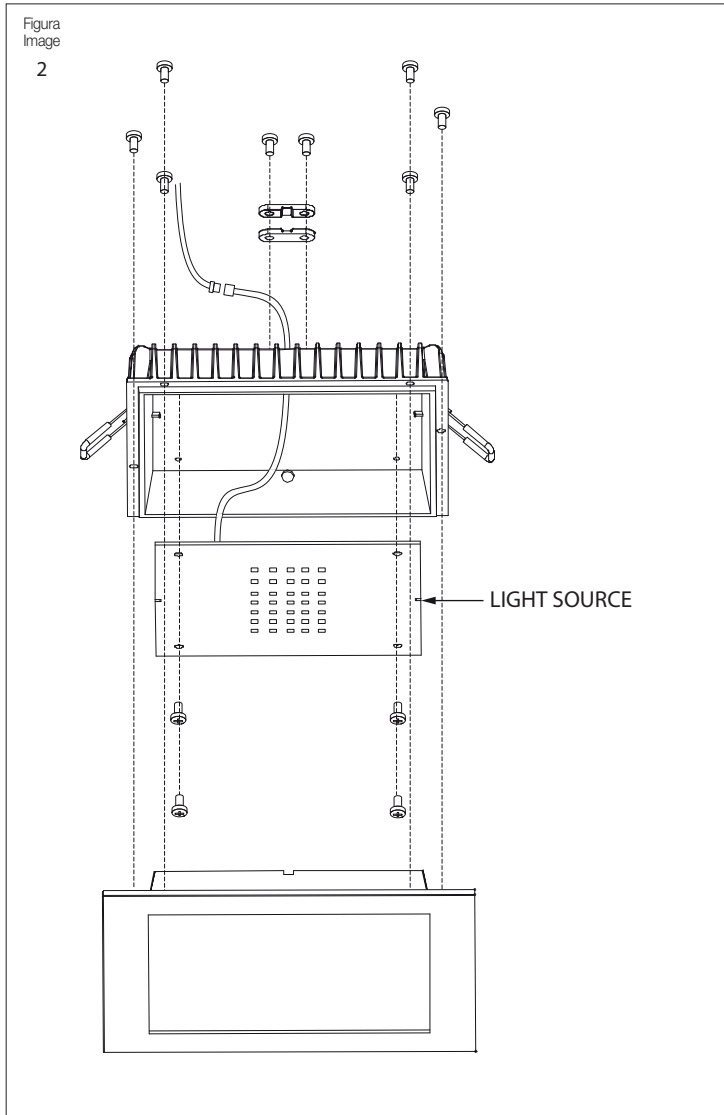
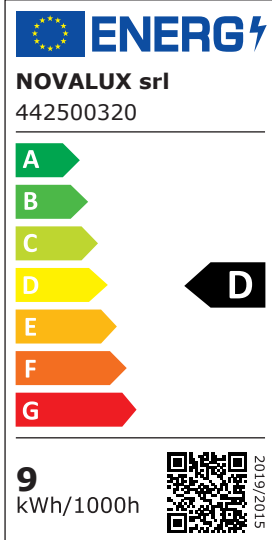
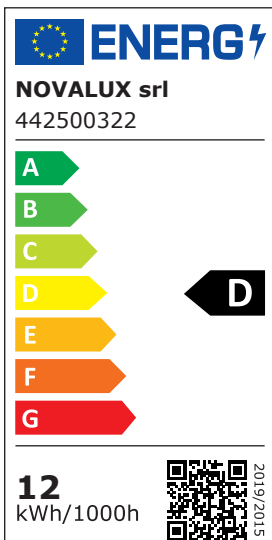
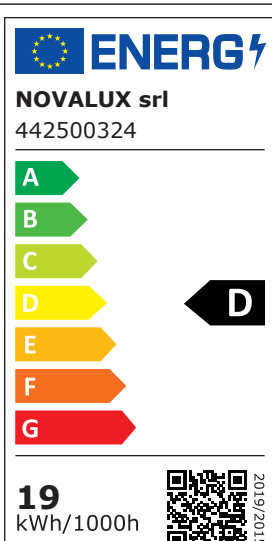
QUADRATO SQUARE	L (mm)	NR. SORGENTI NR. LIGHT SOURCES
	110	1 (TIP.D)
	160	1 (TIP.E)
	230	1 (TIP.F)

Figura
Image

2



TIP.D		
TIP.E		2
TIP.F		

SLIM

FINO AL 01/06/2016

Ø (mm)

NR. SORGENTI
NR. LIGHT SOURCES

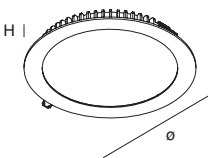
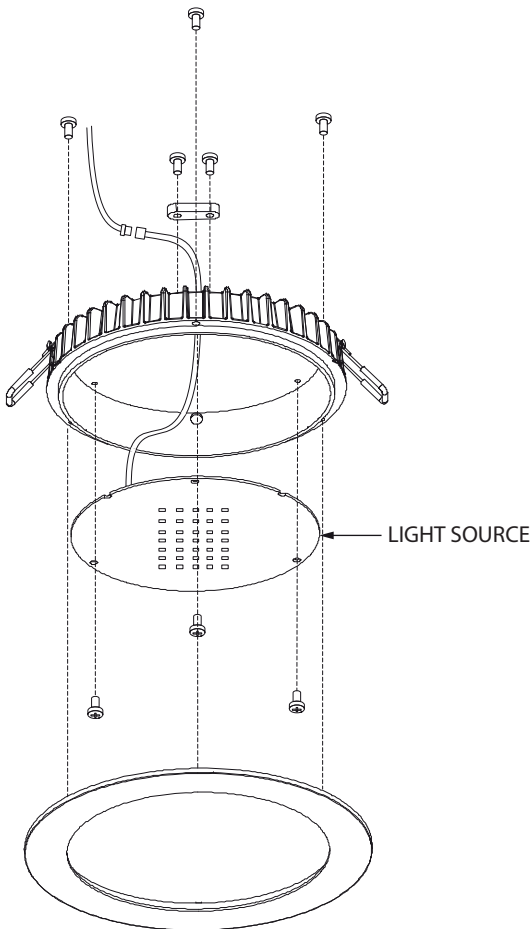
<p>TONDO ROUND</p> 	125	1 (TIP.A)
	160	1 (TIP.B)
	230	1 (TIP.C)

Figura
Image

1

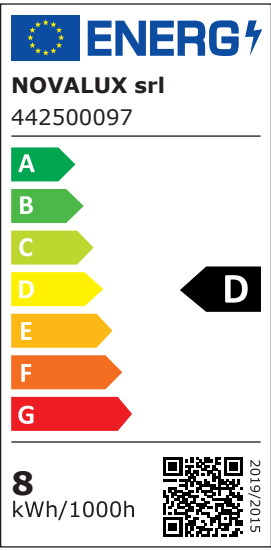
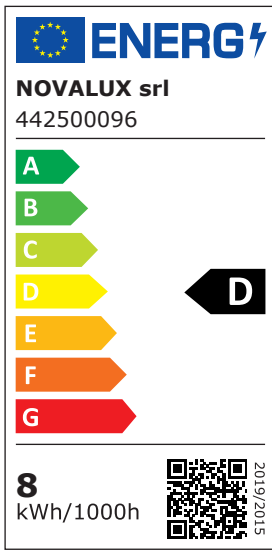
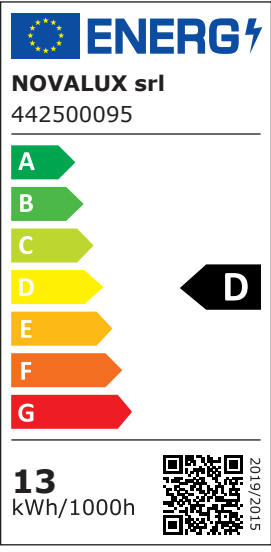
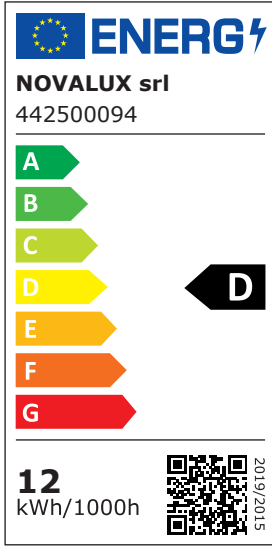
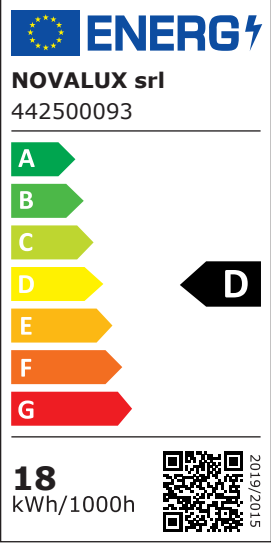
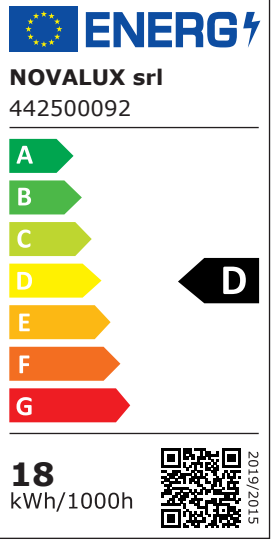


Sorgenti
Light Sources

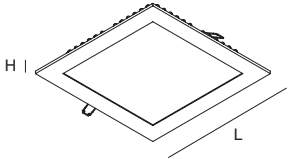
3000K

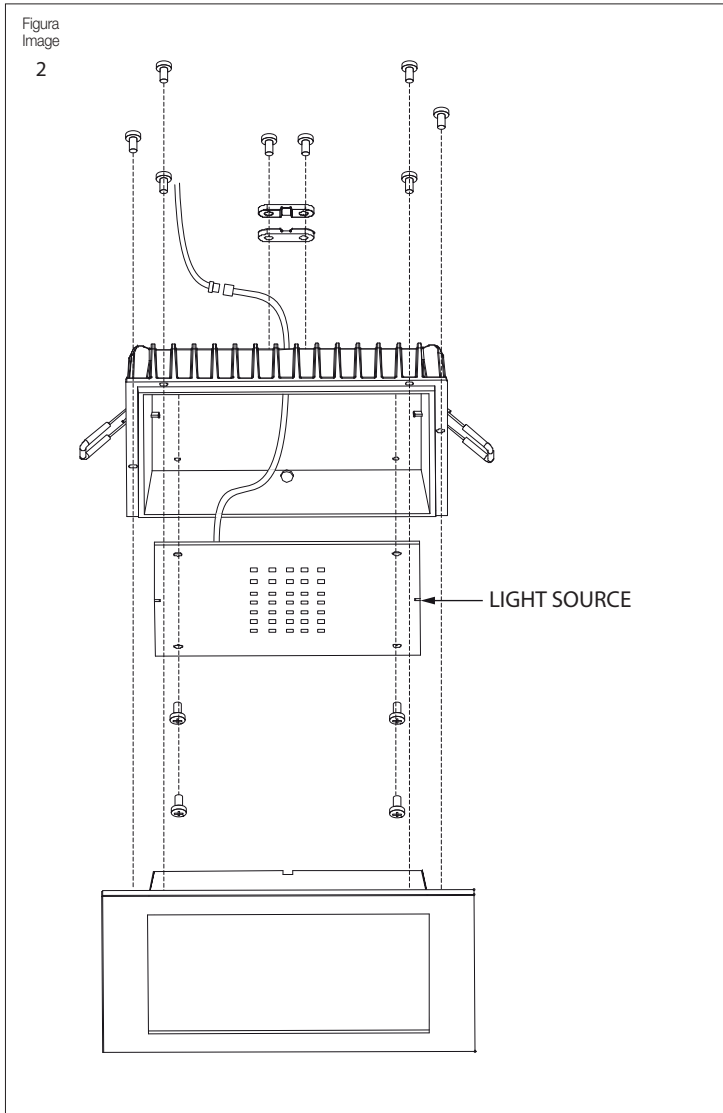
4000K

Figura
Image

<p>TIP.A</p>			
	<p>TIP.B</p>		
	<p>TIP.C</p>		

1

QUADRATO SQUARE 	110	1 (TIP.D)
	160	1 (TIP.E)
	230	1 (TIP.F)



TIP.D	