

RECTA

L (mm)

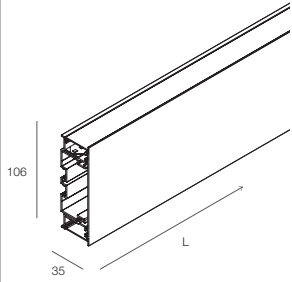
NR. SORGENTI
NR. LIGHT SOURCES

2700K

3000K

4000K

PROFILO LINEARE PCB
LINEAR PROFILE PCB



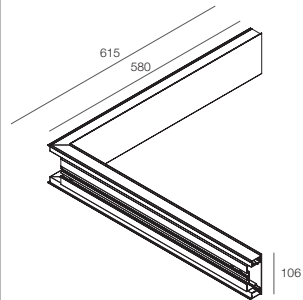
600

2

1200

4

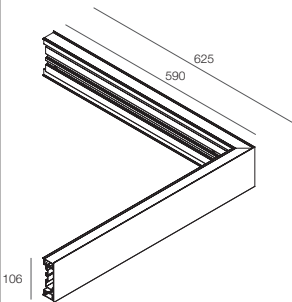
PROFILO ANGOLARE INTERNO PCB
INTERNAL CORNER PROFILE PCB



615x615

4

PROFILO ANGOLARE ESTERNO PCB
EXTERNAL CORNER PROFILE PCB



625x625

4

<p>ENERG NOVALUX srl 442700121</p> <p>A B C D E F G</p> <p>D</p> <p>12 kWh/1000h</p> <p>2019/2015</p>	<p>ENERG NOVALUX srl 442700122</p> <p>A B C D E F G</p> <p>D</p> <p>12 kWh/1000h</p> <p>2019/2015</p>	<p>ENERG NOVALUX srl 442700123</p> <p>A B C D E F G</p> <p>D</p> <p>12 kWh/1000h</p> <p>2019/2015</p>
---	---	---

