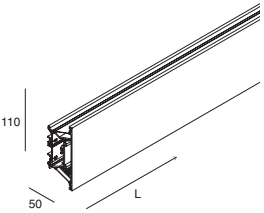
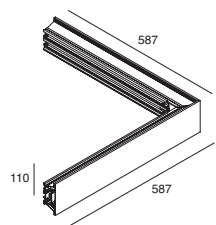
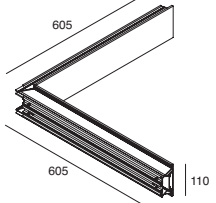


PROFILO T

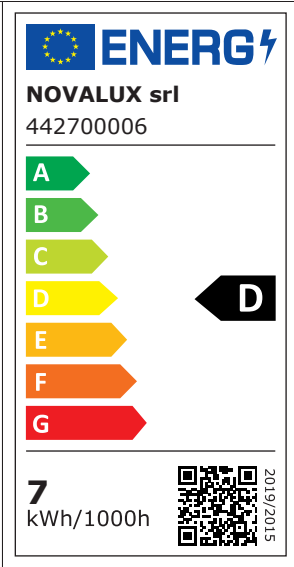
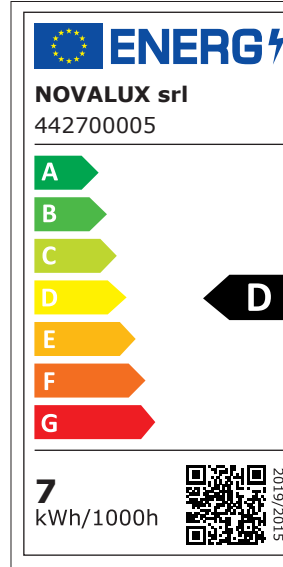
L (mm) NR. SORGENTI
NR. LIGHT SOURCES

PROFILO LED LINEARE LINEAR LED PROFILE	L (mm)	NR. SORGENTI NR. LIGHT SOURCES
	560	4
	840	6
	1120	8
	1400	10
	1680	12
90° CORNER LED PROFILE PROFILO LED ANGOLARE 90°		
 	587x587	8
	605x605	

3000K

4000K

Figura
Image



1

Figura
Image

1

LIGHT SOURCE

