

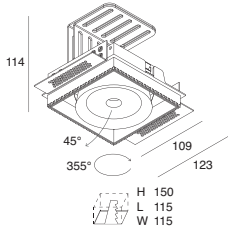
## MAU

Figura  
Image NR. SORGENTI  
NR. LIGHT SOURCES

3000K

4000K

### FRAMELESS



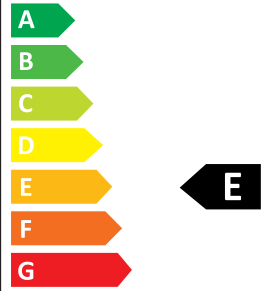
1

1



CITIZEN ELECTRONICS CO., LTD.

CLU038-1205C4-303H5M3-F1



**16**  
kWh/1000h



2019/2015



CITIZEN ELECTRONICS CO., LTD.

CLU038-1205C4-403H5M3-F1

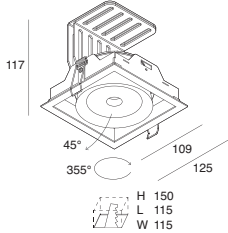


**16**  
kWh/1000h



2019/2015

### FRAME



2

Figura  
Image

1

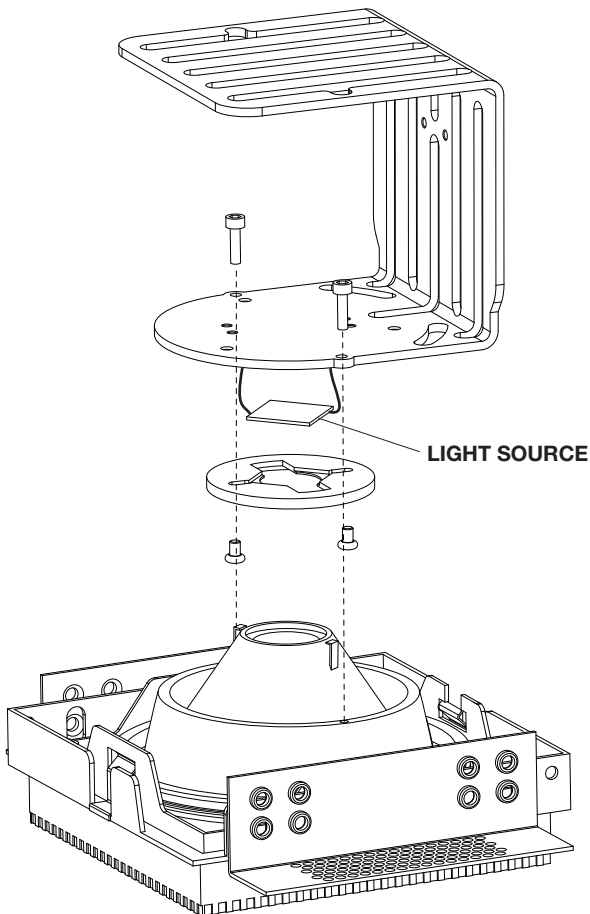


Figura  
Image

2

