

HERO PLUS B

L (mm) NR. SORGENTI NR. LIGHT SOURCES 2700K 3000K 4000K Figura Image

<p>PROFILO LED LINEARE LINEAR LED PROFILE</p>	1120	3 IND + 4 DIR				1
	1400	4 IND + 5 DIR				
	1680	5 IND + 6 DIR				
	1960	6 IND + 7 DIR				
	2240	7 IND + 8 DIR				
	2520	8 IND + 9 DIR				
2800	9 IND + 10 DIR					
<p>PROFILO LED ANGOLARE 90° 90° CORNER LED PROFILE</p>	594X594	4 IND + 4 DIR				1

HERO PLUS B

L (mm) NR. SORGENTI NR. LIGHT SOURCES 2700K 3000K 4000K Figura Image

<p>PROFILO LED LINEARE MICRO OTTICHE MICRO-OPTICS LINEAR LED PROFILE</p>	1400	4 IND				1
		+				
		5 DIR				2

HERO PLUS B

L (mm)

NR. SORGENTI
NR. LIGHT SOURCES

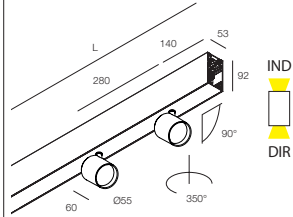
2700K

3000K

4000K

Figura
Image

PROFILO LED LINEARE SPOT
SPOT LINEAR LED PROFILE



1120

3 IND

+

2 DIR

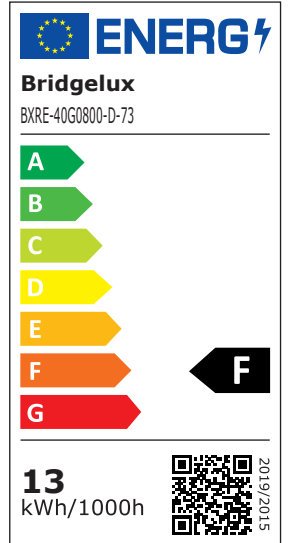
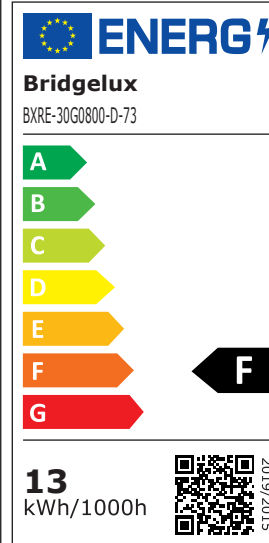
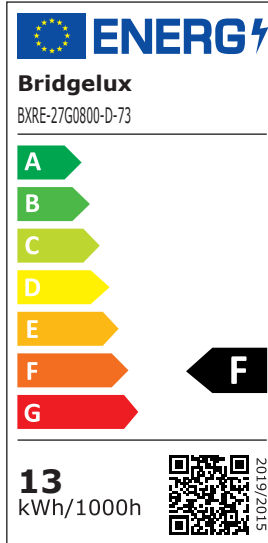
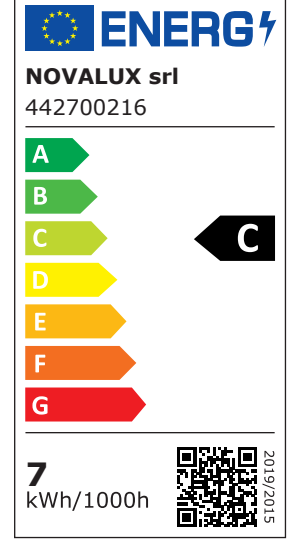
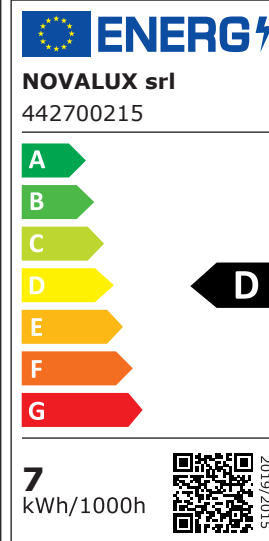
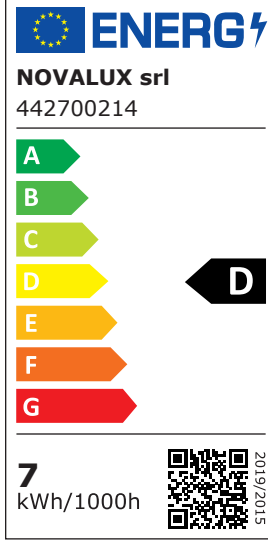


Figura
Image

1

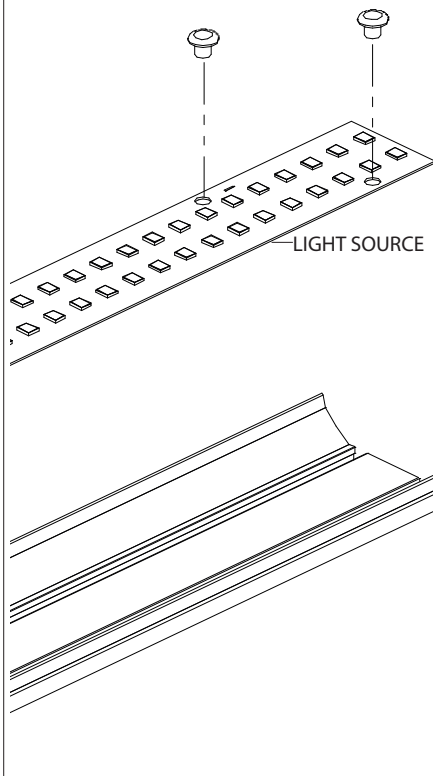


Figura
Image

2

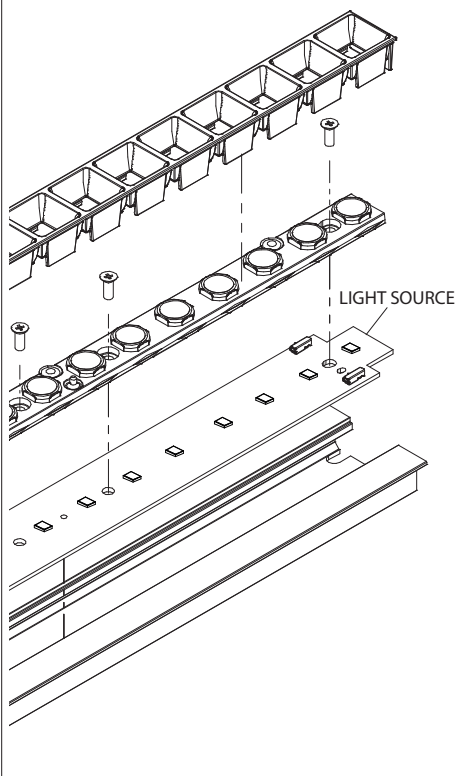


Figura
Image

3

