

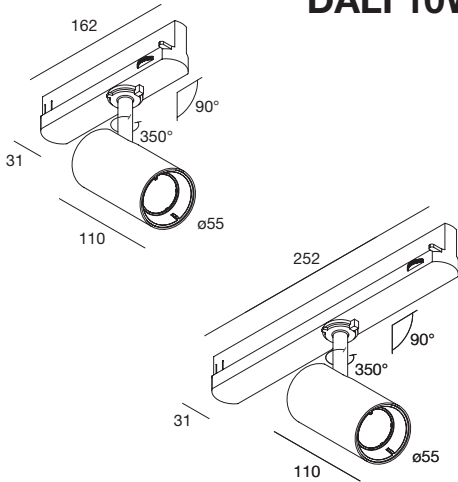
DALÌ

Spot LED orientabile per installazione a soffitto su binario elettrificato All-Track.
 Ottiche intercambiabili 15° e 38°.
 Corpo in lega di alluminio estruso verniciato a polvere, anello nero in tecnopolimero (incluso) e verniciato nella versione oro (opzionale).
 Lente in policarbonato, adattatore plastico per binario incluso.
 Alimentatore elettronico o dimmerabile DALI integrato nell'adattatore.

Adjustable spotlight or ceiling installation on electrified All-Track.
 Interchangeable optics 15° and 38°.
 Body made of powder coated extruded aluminium alloy, technopolymer black ring (included) and gold painted version (optional).
 Lens in polycarbonate, integrated plastic adaptor for track.
 Electronic or dimmable DALI driver integrated into the adaptor.



DALÌ 10W

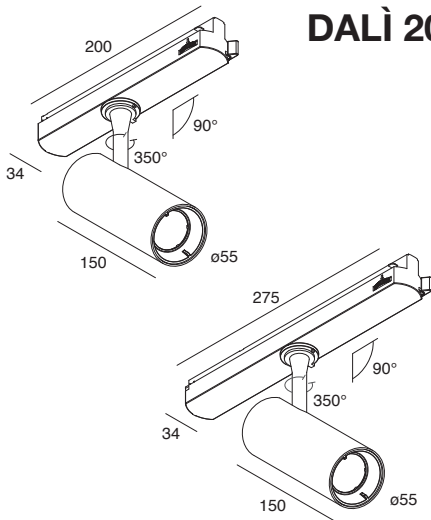


POWER	BEAM	FLUX	3000K	4000K
10W	15° / 38°	1078 lm	106122.01	106123.01

DALI

POWER	BEAM	FLUX	3000K	4000K
10W	15° / 38°	1078 lm	106124.01	106125.01

DALÌ 20W



POWER	BEAM	FLUX	3000K	4000K
20W	15° / 38°	1651 lm	106101.01	106105.01

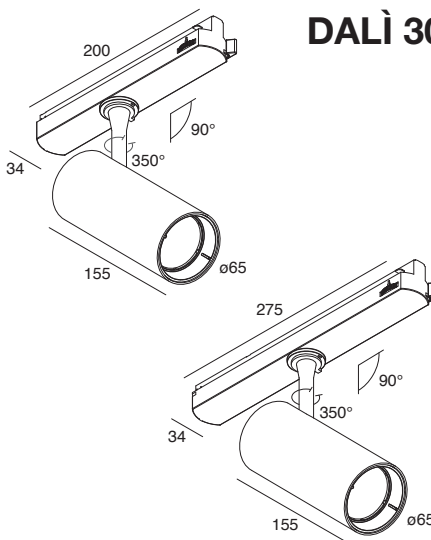
POWER	BEAM	FLUX	2700K
20W	15° / 38°	1941 lm	106129.01

DALI

POWER	BEAM	FLUX	3000K	4000K
20W	15° / 38°	1651 lm	106103.01	106107.01

POWER	BEAM	FLUX	2700K
20W	15° / 38°	1941 lm	106130.01

DALÌ 30W



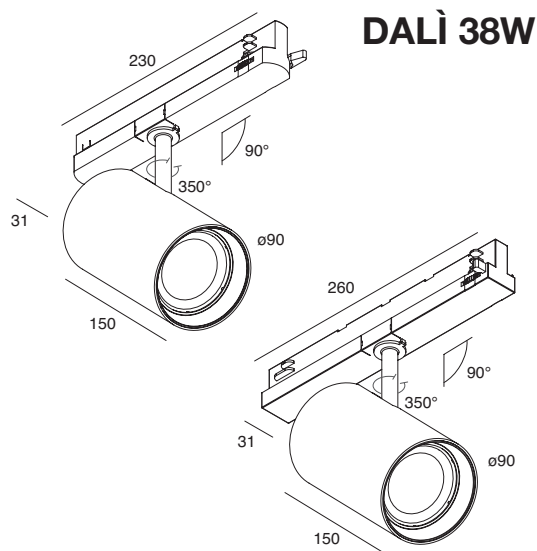
POWER	BEAM	FLUX	3000K	4000K
30W	15° / 38°	2356 lm	106102.01	106106.01

POWER	BEAM	FLUX	2700K
30W	15° / 38°	2801 lm	106131.01

DALI

POWER	BEAM	FLUX	3000K	4000K
30W	15° / 38°	2356 lm	106104.01	106108.01

POWER	BEAM	FLUX	2700K
30W	15° / 38°	2801 lm	106132.01



DALI 38W

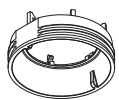
POWER	BEAM	FLUX	3000K	4000K
38W	15° / 38°	4221 lm	106115.01 <input type="checkbox"/> <input checked="" type="checkbox"/>	FLUX 4000K <input type="checkbox"/> <input checked="" type="checkbox"/>
				4433 lm 106117.01 <input type="checkbox"/> <input checked="" type="checkbox"/>

DALI

POWER	BEAM	FLUX	3000K	4000K
38W	15° / 38°	4221 lm	106116.01 <input type="checkbox"/> <input checked="" type="checkbox"/>	FLUX 4000K <input type="checkbox"/> <input checked="" type="checkbox"/>
				4433 lm 106118.01 <input type="checkbox"/> <input checked="" type="checkbox"/>

DALI

ACCESSORI ACCESSORIES

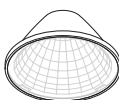


ANELLO DECORATIVO ORO
opzionale

DECORATIVE GOLD RING
optional

CODE VERSION

106128.15	10W
106109.15	20W
106110.15	30W
106120.15	38W



LENTE 55° - opzionale

LENS 55° - optional

CODE VERSION

106126.00	10W
106113.00	20W
106114.00	30W
106119.00	38W



SCHERMO A NIDO D'APE
anti-abbagliamento con ghiera
in alluminio verniciato

HONEYCOMB ANTI-GLARE
ACCESSORY with painted
aluminum ring

CODE VERSION

106127.02	10W
106111.02	20W
106112.02	30W
106121.02	38W