



LUCKY MAXI

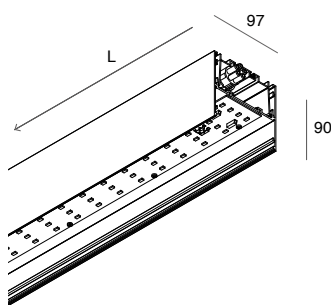
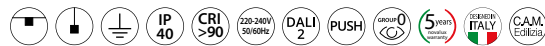
LUCKY MAXI



Sistema LED lineare installabile singolo o in fila continua, a plafone o sospensione. Profilo in lega di alluminio verniciato. Alimentatore elettronico incluso. Schermo, testate terminali, kit di giunzione ed accessori per la sospensione da ordinare a parte.

Stand alone or continuous line LED system for ceiling or suspended installation. Profile made of painted aluminium alloy. Integrated electronic driver. Diffuser, end caps, junction kit and kit for suspended installation to be ordered separately.

SYSTEMS



PROFILO LED LINEARE
LINEAR LED PROFILE

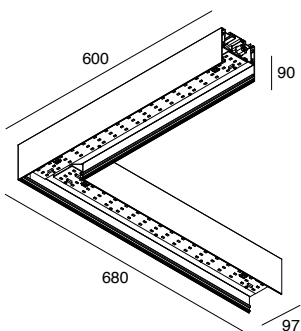
L (mm)		3000K	4000K
1200	36W	106201.01 .02	106204.01 .02
1800	54W	106202.01 .02	106205.01 .02
2400	72W	106203.01 .02	106206.01 .02

DALI-PUSH

L (mm)		3000K	4000K
1200	36W	106207.01 .02	106210.01 .02
1800	54W	106208.01 .02	106211.01 .02
2400	72W	106209.01 .02	106212.01 .02

EMERGENCY 1 h Flusso in emergenza / Emergency flux 11%

L (mm)		3000K	4000K
1200	36W	106213.01 .02	106214.01 .02



PROFILO LED ANGOLARE 90°
90° CORNER LED PROFILE

L (mm)		3000K	4000K
600x680	36W	106215.01 .02	106216.01 .02

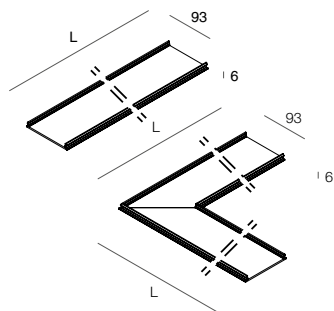
DALI-PUSH

L (mm)		3000K	4000K
600x680	36W	106217.01 .02	106218.01 .02

IL PROFILO CHE PENSA IN GRANDE: POTENZA EXTRA, DESIGN MAXI.

THE PROFILE THAT THINKS BIG: EXTRA POWER, MAXI DESIGN.





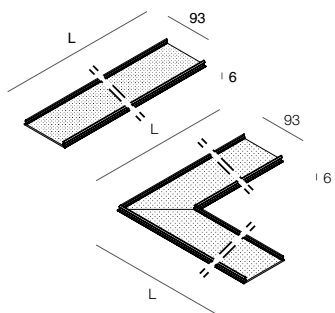
DIFFUSORE OPALE

Ad incastro in policarbonato opale.
* L 6000mm consigliato per installazioni in fila continua.

OPAL DIFFUSER

Opal polycarbonate diffuser.
* L 6000mm recommended for continuous line installations.

L (mm)	3000K	4000K	
1200	2125 lm	2237 lm	106219.99
1800	3188 lm	3356 lm	106220.99
2400	4251 lm	4475 lm	106221.99
* 6000	-	-	106222.99
600x680	2125 lm	2237 lm	106227.99



DIFFUSORE UGR<19

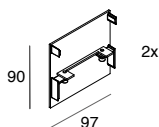
Schermo diffusore per il controllo dell'abbagliamento, ad incastro in policarbonato microprismatizzato.
* L 6000mm consigliato per installazioni in fila continua.

UGR<19 DIFFUSER

Anti-glare diffuser made of microprismatized polycarbonate.
* L 6000mm recommended for continuous line installations.

L (mm)	3000K	4000K	
1200	2952 lm	3107 lm	106223.99
1800	4428 lm	4661 lm	106224.99
2400	5904 lm	6214 lm	106225.99
* 6000	-	-	106226.99
600x680	2952 lm	3107 lm	106228.99

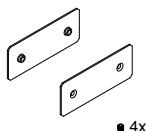
TESTATE TERMINALI (2 pz.)



END CAPS (2 pcs)

<input type="checkbox"/>	<input checked="" type="checkbox"/>	
		106230.01 .02

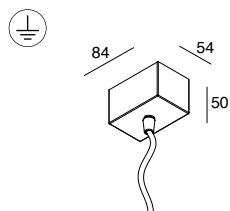
KIT DI GIUNZIONE



JUNCTION KIT

	106231.99
--	------------------

KIT DI ALIMENTAZIONE

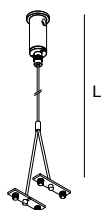


POWER SUPPLY KIT

<input type="checkbox"/>	<input checked="" type="checkbox"/>	L (mm)	Cavo / Cable (mm2)
		3000	3x1,5
		3000	5x1,5

CAVO DI SOSPENSIONE (1 p.z)

in acciaio, regolabile
2pz per moduli 1200mm e 1800mm,
3pz per 2400mm e angolare.
In fila continua: 1pz a inizio e fine linea,
e 1pz per unione moduli.



SUSPENSION CABLES (1 pc)

made of steel, adjustable
2pcs for 1200mm and 1800mm,
3pcs for 2400mm and corner.
Continuous line: 1pc for each end,
and 1pc for modules junction.

	L (mm)
106229.99	3000