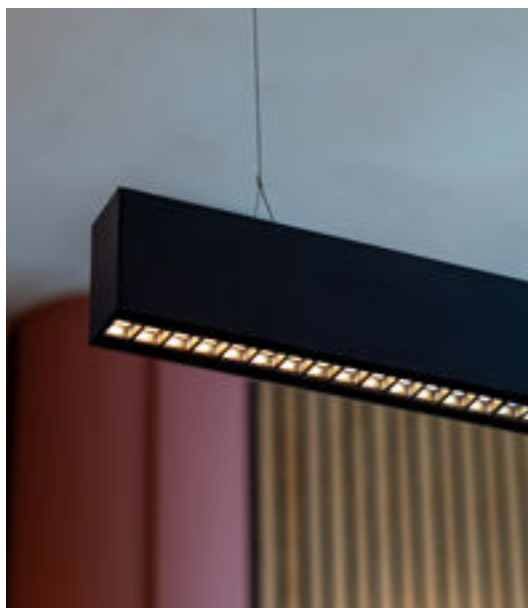




HERO PLUS
SYSTEM



HERO PLUS SYSTEM

HERO PLUS è il sistema lineare pensato per modellare la luce con grande naturalezza e versatilità. Si integra con eleganza in qualsiasi contesto: sospensione, plafone, parete o incasso a rasamento in cartongesso. La sua forza è nella combinazione di prestazioni elevate e massima flessibilità, resa possibile da un'ampia scelta di ottiche LED, capaci di valorizzare ogni dettaglio, offrendo infinite possibilità espressive e una qualità luminosa sempre impeccabile.

HERO PLUS is the linear system designed to shape light with natural ease and versatility. It integrates elegantly into any context: suspension, surface-mounted, wall-mounted, or flush-recessed in plasterboard. Its strength lies in the combination of high performance and maximum flexibility, enabled by a wide range of LED optics capable of enhancing every detail, offering endless expressive possibilities and consistently impeccable light quality.



HERO PLUS SYSTEM

Connettore rapido e cablaggio passante fino a 8 poli per un montaggio veloce in fila continua.
Quick connector and through-wiring up to 8 poles for fast installation in continuous runs.



Alta capacità di dissipazione.
High heat dissipation capacity.

Base LED con magneti per un'installazione rapida.
Magnetic LED base for quick installation.

Montaggio schede LED senza colla o viti.
LED boards mounted without glue or screws.

HERO PLUS

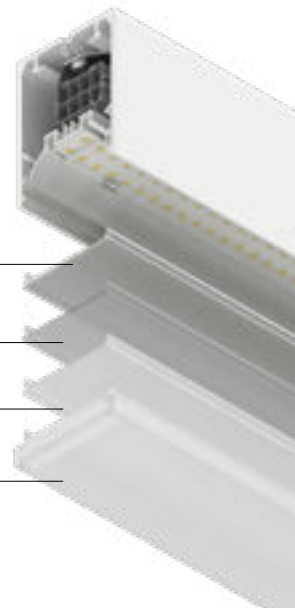
MODULO LED
 LED MODULE
 +
 Diffusore:
 Diffuser:

Microprismatizzato UGR<19
 Microprismatized UGR<19

Opale alta trasmittanza
 High-transmittance diffuser

Opale
 Opal

Tutta luce
 Full light



MICRO OTTICHE
 MICRO-OPTICS

SPOT ORIENTABILI
 SPOTS MODULE

MODULO CIECO
 BLIND MODULE

MODULO SENSORE
 SENSOR MODULE





HERO PLUS B

MODULO LED
LED MODULE
+
Diffusore:
Diffuser:

Microprismatizzato UGR<19
Microprismatized UGR<19

Opale alta trasmittanza
High-transmittance diffuser

Opale
Opal

Tutta luce
Full light

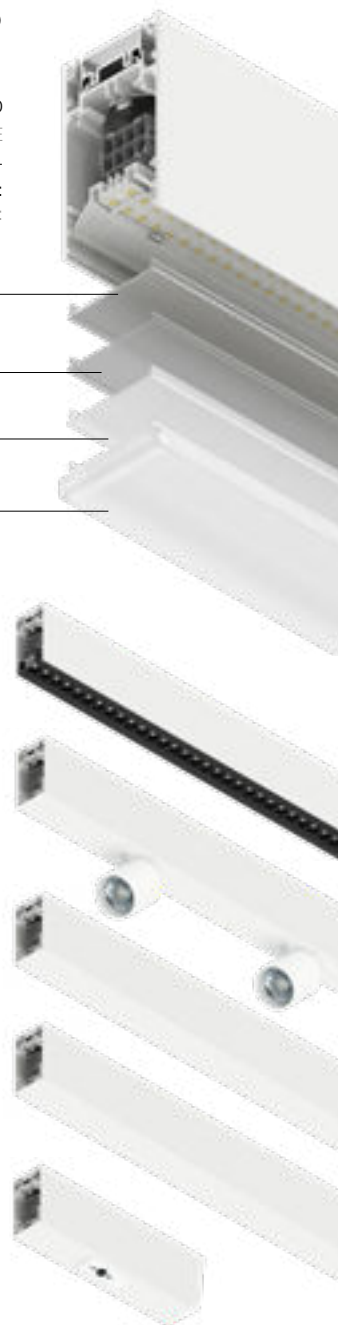
MICRO OTTICHE
MICRO-OPTICS

SPOT ORIENTABILI
SPOTS MODULE

MODULO LUCE INDIRECTA
INDIRECT LIGHT MODULE

MODULO CIECO
BLIND MODULE

MODULO SENSORE
SENSOR MODULE



HERO PLUS C

MODULO LED
LED MODULE
+
Diffusore:
Diffuser:

Microprismatizzato UGR<19
Microprismatized UGR<19

Opale alta trasmittanza
High-transmittance diffuser

Opale
Opal

Tutta luce
Full light

MICRO OTTICHE
MICRO-OPTICS

SPOT ORIENTABILI
SPOTS MODULE

MODULO CIECO
BLIND MODULE

MODULO SENSORE
SENSOR MODULE



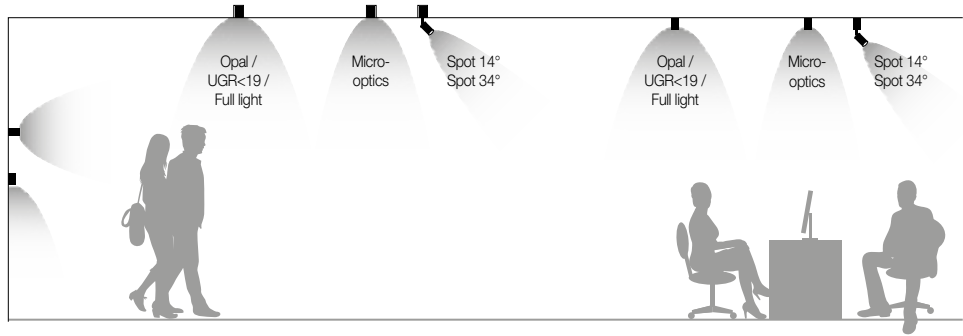
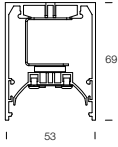


HERO PLUS SYSTEM

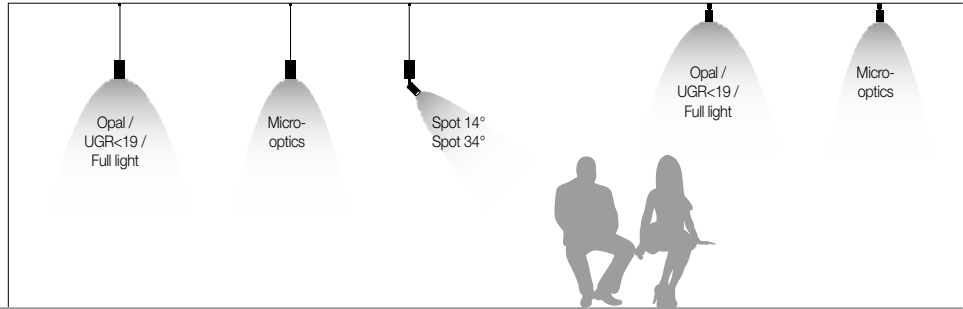
INSTALLAZIONI
INSTALLATIONS

HERO PLUS

- .01 Bianco - White
- .02 Nero - Black
- .20 Caffè
- .21 Cappuccino



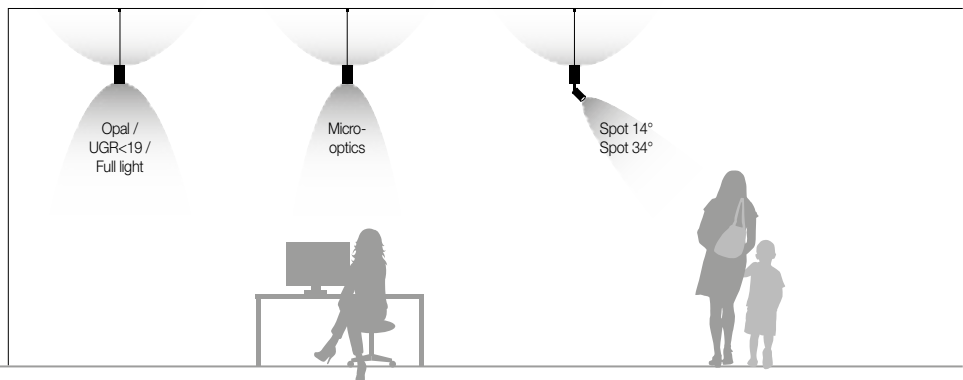
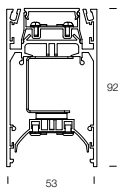
BINARIO | TRACK



SYSTEMS

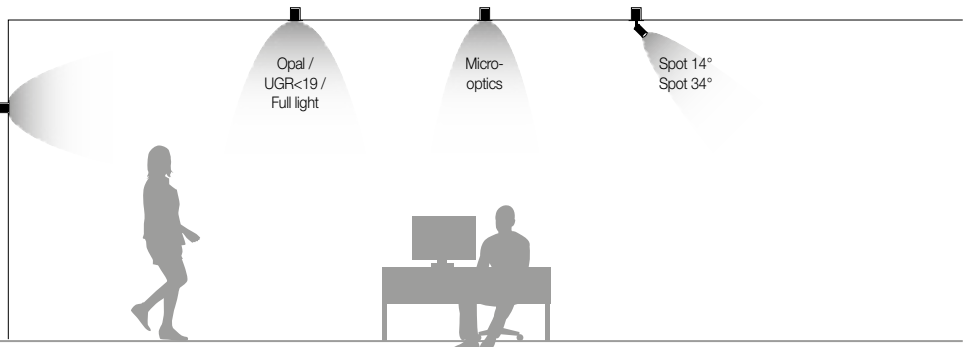
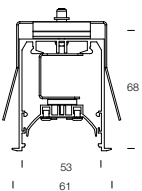
HERO PLUS B

- .01 Bianco - White
- .02 Nero - Black
- .20 Caffè
- .21 Cappuccino



HERO PLUS

- .01 Bianco - White
- .02 Nero - Black





HERO PLUS B

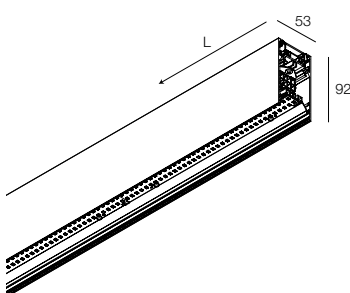
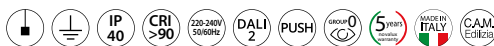
NEW

HERO PLUS B



Sistema LED lineare ad emissione di luce diretta-indiretta, installabile a sospensione, singolo o in fila continua. Profilo in lega di alluminio verniciato completo di alimentatori elettronici per doppia accensione, cablaggio passante e schermo per luce indiretta. Accessori per la sospensione, giunti lineari, schermo per luce diretta e testate terminali da ordinare a parte.

Up-down light LED system for suspended mounting, for stand alone or continuous line installation. Painted alloy aluminium profile including electronic power supplies for dual switching, pass-through wiring and diffuser for indirect light. Suspension accessories, linear joints, diffuser for direct light and end caps to be ordered separately.



PROFILO LED LINEARE
LINEAR LED PROFILE

| L (mm) | 2700K | 3000K | 4000K | □ | ■ | ■ | ■ |
|--------|-------|--------------------|--------------------|--------------------|----|----|-------|
| 1120 | 47W | 114701 ._._ | 114708 ._._ | 114715 ._._ | 01 | 02 | 20 21 |
| 1400 | 60W | 114702 ._._ | 114709 ._._ | 114716 ._._ | 01 | 02 | 20 21 |
| 1680 | 73W | 114703 ._._ | 114710 ._._ | 114717 ._._ | 01 | 02 | 20 21 |
| 1960 | 86W | 114704 ._._ | 114711 ._._ | 114718 ._._ | 01 | 02 | 20 21 |
| 2240 | 99W | 114705 ._._ | 114712 ._._ | 114719 ._._ | 01 | 02 | 20 21 |
| 2520 | 113W | 114706 ._._ | 114713 ._._ | 114720 ._._ | 01 | 02 | 20 21 |
| 2800 | 126W | 114707 ._._ | 114714 ._._ | 114721 ._._ | 01 | 02 | 20 21 |

DALI-PUSH

| L (mm) | 2700K | 3000K | 4000K | □ | ■ | ■ | ■ |
|--------|-------|--------------------|--------------------|--------------------|----|----|-------|
| 1120 | 47W | 114722 ._._ | 114729 ._._ | 114736 ._._ | 01 | 02 | 20 21 |
| 1400 | 60W | 114723 ._._ | 114730 ._._ | 114737 ._._ | 01 | 02 | 20 21 |
| 1680 | 73W | 114724 ._._ | 114731 ._._ | 114738 ._._ | 01 | 02 | 20 21 |
| 1960 | 86W | 114725 ._._ | 114732 ._._ | 114739 ._._ | 01 | 02 | 20 21 |
| 2240 | 99W | 114726 ._._ | 114733 ._._ | 114740 ._._ | 01 | 02 | 20 21 |
| 2520 | 113W | 114727 ._._ | 114734 ._._ | 114741 ._._ | 01 | 02 | 20 21 |
| 2800 | 126W | 114728 ._._ | 114735 ._._ | 114742 ._._ | 01 | 02 | 20 21 |

EMERGENCY 1h / 12h Flusso in emergenza emissione diretta / Direct emission emergency flux 10%

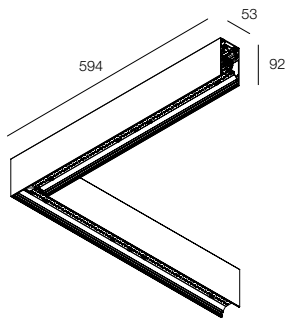
| L (mm) | 2700K | 3000K | 4000K | □ | ■ | ■ | ■ |
|--------|-------|--------------------|--------------------|--------------------|----|----|-------|
| 1680 | 73W | 114743 ._._ | 114744 ._._ | 114745 ._._ | 01 | 02 | 20 21 |

DALI-PUSH + EMERGENCY 1h / 12h Flusso in emergenza emissione diretta / Direct emission emergency flux 10%

| L (mm) | 2700K | 3000K | 4000K | □ | ■ | ■ | ■ |
|--------|-------|--------------------|--------------------|--------------------|----|----|-------|
| 1680 | 73W | 114746 ._._ | 114747 ._._ | 114748 ._._ | 01 | 02 | 20 21 |

Prevedere cavi di alimentazione dedicati per i moduli EME e DALI-PUSH + EME / Provide specific power supply cables for EME and DALI-PUSH + EME module.

Disponibile kit cablaggio passante di idonea lunghezza per collegare il modulo in emergenza, installato in fila continua, al punto di alimentazione (pag. 165) / Available through-wiring kit of suitable length for connecting the emergency module, installed in a continuous row, to the power supply point (pg. 165).



PROFILO LED ANGOLARE 90°
 Non installabile/alimentabile singolarmente.
90° CORNER LED PROFILE
 Cannot be installed or powered individually.

Sinistra/Left

| L (mm) | 2700K | 3000K | 4000K | <input type="checkbox"/> | <input checked="" type="checkbox"/> | <input checked="" type="checkbox"/> | <input checked="" type="checkbox"/> |
|---------|-------|--------------------|--------------------|--------------------------|-------------------------------------|-------------------------------------|-------------------------------------|
| 594x594 | 47W | 114749 ._._ | 114750 ._._ | 114751 ._._ | 01 | 02 | 20 21 |

Destra/Right

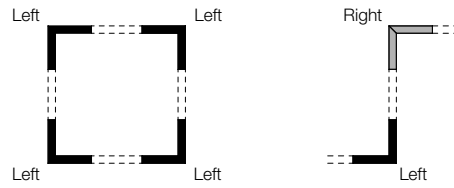
| L (mm) | 2700K | 3000K | 4000K | <input type="checkbox"/> | <input checked="" type="checkbox"/> | <input checked="" type="checkbox"/> | <input checked="" type="checkbox"/> |
|---------|-------|--------------------|--------------------|--------------------------|-------------------------------------|-------------------------------------|-------------------------------------|
| 594x594 | 47W | 114752 ._._ | 114753 ._._ | 114754 ._._ | 01 | 02 | 20 21 |

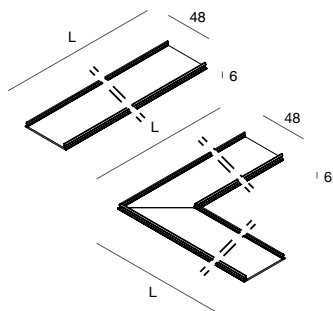
DALI-PUSH Sinistra/Left

| L (mm) | 2700K | 3000K | 4000K | <input type="checkbox"/> | <input checked="" type="checkbox"/> | <input checked="" type="checkbox"/> | <input checked="" type="checkbox"/> |
|---------|-------|--------------------|--------------------|--------------------------|-------------------------------------|-------------------------------------|-------------------------------------|
| 594x594 | 47W | 114755 ._._ | 114756 ._._ | 114757 ._._ | 01 | 02 | 20 21 |

DALI-PUSH Destra/Right

| L (mm) | 2700K | 3000K | 4000K | <input type="checkbox"/> | <input checked="" type="checkbox"/> | <input checked="" type="checkbox"/> | <input checked="" type="checkbox"/> |
|---------|-------|--------------------|--------------------|--------------------------|-------------------------------------|-------------------------------------|-------------------------------------|
| 594x594 | 47W | 114758 ._._ | 114759 ._._ | 114760 ._._ | 01 | 02 | 20 21 |





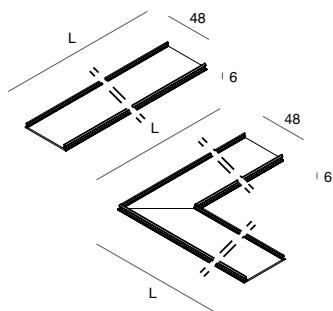
DIFFUSORE OPALE

Ad incastro in policarbonato opale, a luminanza uniforme.
* L 5700mm consigliato per installazioni in fila continua.

OPAL DIFFUSER

Opal polycarbonate diffuser, with uniform luminance.
* L 5700mm recommended for continuous line installations.

| L (mm) | 2700K | 3000K | 4000K | |
|---------|----------|----------|----------|------------------|
| 1120 | 4709 lm | 5031 lm | 5222 lm | 108901.99 |
| 1400 | 6069 lm | 6484 lm | 6730 lm | 108902.99 |
| 1680 | 7429 lm | 7938 lm | 8239 lm | 108903.99 |
| 1960 | 8791 lm | 9392 lm | 9748 lm | 108904.99 |
| 2240 | 10151 lm | 10846 lm | 11257 lm | 108905.99 |
| 2520 | 11512 lm | 12299 lm | 12766 lm | 108906.99 |
| 2800 | 12873 lm | 13753 lm | 14275 lm | 108907.99 |
| * 5700 | - | - | - | 108909.99 |
| 594x594 | 5443 lm | 5815 lm | 6035 lm | 108944.99 |



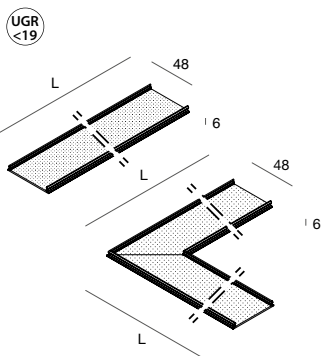
DIFFUSORE OPALE ALTA TRASMITTANZA

Ad incastro in policarbonato opale.
* L 5700mm consigliato per installazioni in fila continua.

HIGH TRANSMITTANCE OPAL DIFFUSER

Opal polycarbonate diffuser.
* L 5700mm recommended for continuous line installations.

| L (mm) | 2700K | 3000K | 4000K | |
|---------|----------|----------|----------|------------------|
| 1120 | 5382 lm | 5749 lm | 5968 lm | 108931.99 |
| 1400 | 6910 lm | 7382 lm | 7662 lm | 108932.99 |
| 1680 | 8439 lm | 9016 lm | 9358 lm | 108933.99 |
| 1960 | 9968 lm | 10650 lm | 11054 lm | 108934.99 |
| 2240 | 11497 lm | 12283 lm | 12749 lm | 108935.99 |
| 2520 | 13026 lm | 13917 lm | 14444 lm | 108936.99 |
| 2800 | 14555 lm | 15550 lm | 16140 lm | 108937.99 |
| * 5700 | - | - | - | 108939.99 |
| 594x594 | 6116 lm | 6533 lm | 6781 lm | 108938.99 |



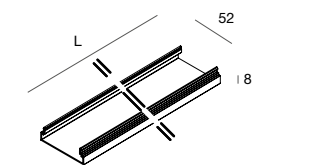
DIFFUSORE UGR<19

Schermo diffusore per il controllo dell'abbagliamento, ad incastro in policarbonato microprismatizzato.
* L 5700mm consigliato per installazioni in fila continua.

UGR<19 DIFFUSER

Anti-glare diffuser made of microprismatized polycarbonate.
* L 5700mm recommended for continuous line installations.

| L (mm) | 2700K | 3000K | 4000K | |
|---------|----------|----------|----------|------------------|
| 1120 | 5114 lm | 5464 lm | 5672 lm | 108910.99 |
| 1400 | 6577 lm | 7026 lm | 7292 lm | 108911.99 |
| 1680 | 8038 lm | 8588 lm | 8914 lm | 108912.99 |
| 1960 | 9501 lm | 10150 lm | 10536 lm | 108913.99 |
| 2240 | 10963 lm | 11713 lm | 12157 lm | 108914.99 |
| 2520 | 12426 lm | 13275 lm | 13778 lm | 108915.99 |
| 2800 | 13888 lm | 14837 lm | 15400 lm | 108916.99 |
| * 5700 | - | - | - | 108918.99 |
| 594x594 | 5848 lm | 6248 lm | 6485 lm | 108945.99 |



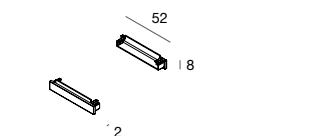
DIFFUSORE TUTTA LUCE

Diffusore sporgente in policarbonato opale. Testate opali da ordinare a parte.

FULL LIGHT DIFFUSER

Protruding opal polycarbonate diffuser. Opal end caps to be ordered separately.

| L (mm) | 2700K | 3000K | 4000K | |
|--------|----------|----------|----------|------------------|
| 1120 | 5261 lm | 5621 lm | 5835 lm | 108923.99 |
| 1400 | 6760 lm | 7222 lm | 7496 lm | 108924.99 |
| 1680 | 8259 lm | 8824 lm | 9159 lm | 108925.99 |
| 1960 | 9758 lm | 10425 lm | 10821 lm | 108926.99 |
| 2240 | 11257 lm | 12027 lm | 12483 lm | 108927.99 |
| 2520 | 12756 lm | 13628 lm | 14145 lm | 108928.99 |
| 2800 | 14255 lm | 15230 lm | 15808 lm | 108929.99 |



TESTATE OPALI (2pz)

Da prevedere alle estremità dello schermo tutta luce.

108930.99

OPAL END CAPS (2pcs)

To be provided at the end of full light diffuser.

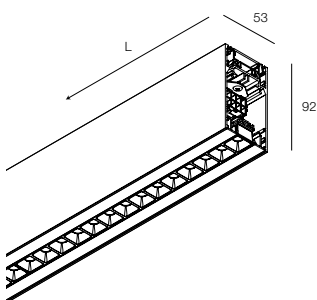
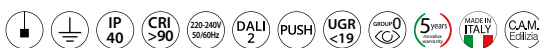
HERO PLUS B

MICRO OTTICHE



Profilo in lega di alluminio verniciato completo di micro ottiche per emissione diretta, alimentatori elettronici per doppia accensione, cablaggio passante e diffusore per luce indiretta. Accessori per la sospensione, giunti lineari e testate terminali da ordinare a parte.

Painted alloy aluminium profile including micro-optics for direct emission, electronic power supplies for dual switching, pass-through wiring and diffuser for indirect light. Suspension accessories, linear joints and end caps to be ordered separately.



| L (mm) | 2700K | 3000K | 4000K | <input type="checkbox"/> | <input checked="" type="checkbox"/> | <input checked="" type="checkbox"/> | <input checked="" type="checkbox"/> |
|------------------|--------------------|----------------------------|----------------------------|--------------------------|-------------------------------------|-------------------------------------|-------------------------------------|
| 1400 63W 6345 lm | 114761 ._._ | 6722 lm 114762 ._._ | 7067 lm 114763 ._._ | 01 | 02 | 20 | 21 |
| DAI-PUSH | | | | | | | |
| L (mm) | 2700K | 3000K | 4000K | <input type="checkbox"/> | <input checked="" type="checkbox"/> | <input checked="" type="checkbox"/> | <input checked="" type="checkbox"/> |
| 1400 63W 6345 lm | 114764 ._._ | 6722 lm 114765 ._._ | 7067 lm 114766 ._._ | 01 | 02 | 20 | 21 |

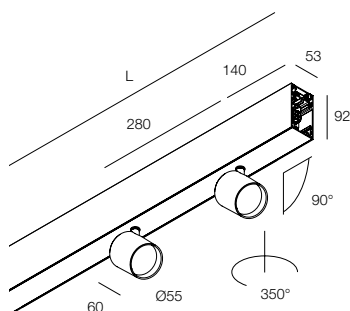
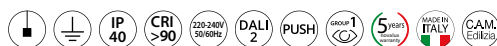


HERO PLUS B SPOT



Profilo in lega di alluminio verniciato completo di 2 faretti per emissione diretta, alimentatori elettronici per doppia accensione, cablaggio passante e diffusore per luce indiretta. Accessori per la sospensione, giunti lineari e testate terminali da ordinare a parte.

Painted alloy aluminium profile including 2 spotlights for direct emission, electronic power supplies for dual switching, pass-through wiring and diffuser for indirect light. Suspension accessories, linear joints and end caps to be ordered separately.

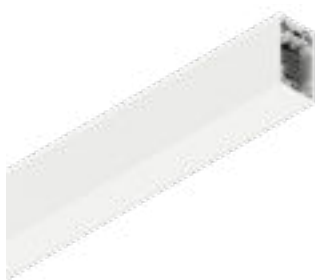


| L (mm) | | 2700K | 3000K | 4000K | <input type="checkbox"/> | <input checked="" type="checkbox"/> | <input checked="" type="checkbox"/> | <input checked="" type="checkbox"/> |
|--------|-----|--------------------|--------------------|--------------------|--------------------------|-------------------------------------|-------------------------------------|-------------------------------------|
| 1120 | 14° | 20W 2201 lm | 2351 lm | 2441 lm | <input type="checkbox"/> | <input checked="" type="checkbox"/> | <input checked="" type="checkbox"/> | <input checked="" type="checkbox"/> |
| | | 2x13W 2028 lm | 2110 lm | 2332 lm | | | | |
| | | 114767 ._._ | 114768 ._._ | 114769 ._._ | | | | |
| 1120 | 34° | 20W 2201 lm | 2351 lm | 2441 lm | <input type="checkbox"/> | <input checked="" type="checkbox"/> | <input checked="" type="checkbox"/> | <input checked="" type="checkbox"/> |
| | | 2x13W 2144 lm | 2230 lm | 2464 lm | | | | |
| | | 114770 ._._ | 114771 ._._ | 114772 ._._ | | | | |

DALI-PUSH

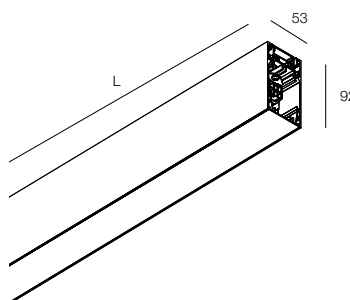
| L (mm) | | 2700K | SPOT 3000K | 4000K | <input type="checkbox"/> | <input checked="" type="checkbox"/> | <input checked="" type="checkbox"/> | <input checked="" type="checkbox"/> |
|--------|-----|--------------------|--------------------|--------------------|--------------------------|-------------------------------------|-------------------------------------|-------------------------------------|
| 1120 | 14° | 20W 2201 lm | 2351 lm | 2441 lm | <input type="checkbox"/> | <input checked="" type="checkbox"/> | <input checked="" type="checkbox"/> | <input checked="" type="checkbox"/> |
| | | 2x13W 2028 lm | 2110 lm | 2332 lm | | | | |
| | | 114773 ._._ | 114774 ._._ | 114775 ._._ | | | | |
| 1120 | 34° | 20W 2201 lm | 2351 lm | 2441 lm | <input type="checkbox"/> | <input checked="" type="checkbox"/> | <input checked="" type="checkbox"/> | <input checked="" type="checkbox"/> |
| | | 2x13W 2144 lm | 2230 lm | 2464 lm | | | | |
| | | 114776 ._._ | 114777 ._._ | 114778 ._._ | | | | |

HERO PLUS B LUCE INDIRETTA



Profilo in lega di alluminio verniciato completo di cover cieca inferiore, alimentatori elettronici per doppia accensione, cablaggio passante e diffusore per luce indiretta. Accessori per la sospensione, giunti lineari e testate terminali da ordinare a parte.

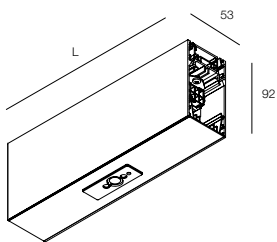
Painted alloy aluminium profile including bottom blind cover, electronic power supplies for dual switching, pass through wiring and diffuser for indirect light. Suspension accessories, linear joints and end caps to be ordered separately.



| L (mm) | | 2700K | 3000K | 4000K | <input type="checkbox"/> | <input checked="" type="checkbox"/> | <input checked="" type="checkbox"/> | <input checked="" type="checkbox"/> |
|--------|-----|--------------------|--------------------|--------------------|--------------------------|-------------------------------------|-------------------------------------|-------------------------------------|
| 1120 | 20W | 2201 lm | 2351 lm | 2441 lm | <input type="checkbox"/> | <input checked="" type="checkbox"/> | <input checked="" type="checkbox"/> | <input checked="" type="checkbox"/> |
| | | 114779 ._._ | 114780 ._._ | 114781 ._._ | | | | |
| | | 114782 ._._ | 114783 ._._ | 114784 ._._ | | | | |

DALI-PUSH

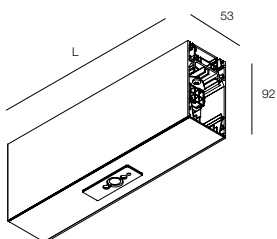
| L (mm) | | 2700K | 3000K | 4000K | <input type="checkbox"/> | <input checked="" type="checkbox"/> | <input checked="" type="checkbox"/> | <input checked="" type="checkbox"/> |
|--------|-----|--------------------|--------------------|--------------------|--------------------------|-------------------------------------|-------------------------------------|-------------------------------------|
| 1120 | 20W | 2201 lm | 2351 lm | 2441 lm | <input type="checkbox"/> | <input checked="" type="checkbox"/> | <input checked="" type="checkbox"/> | <input checked="" type="checkbox"/> |
| | | 114782 ._._ | 114783 ._._ | 114784 ._._ | | | | |



**MODULO CON CENTRALINA DALI IOT
+ SENSORE DI PRESENZA E LUMINOSITÀ**
Completo di centralina DALI, sensore DALI integrato nella cover e cablaggio passante.
Gestibili fino a 32 alimentatori e max 3 moduli sensore 114791. ___. Programmabile mediante Bluetooth con App dedicata per smartphone o tablet. Gestione solo automatica. Non alimentabile.

**MODULE WITH DALI IOT CONTROL UNIT
+ PRESENCE DETECTOR AND LIGHT SENSOR**
Complete with DALI control unit, DALI sensor integrated in the cover and through wiring. Up to 32 drivers controlled and max 3 sensor modules 114791. ___. Programmable by Bluetooth with dedicated App for smartphones or tablets. Only automatic management. Without plug-in.

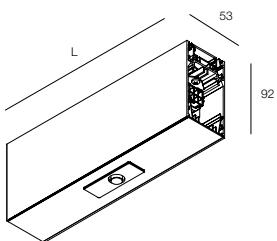
| | <input type="checkbox"/> | <input checked="" type="checkbox"/> | <input checked="" type="checkbox"/> | <input checked="" type="checkbox"/> | L (mm) |
|------------|--------------------------|-------------------------------------|-------------------------------------|-------------------------------------|--------|
| 114790. __ | 01 | 02 | 20 | 21 | 280 |



**MODULO CON SENSORE DI PRESENZA E
LUMINOSITA' DALI IOT**
Completo di sensore DALI integrato nella cover e cablaggio passante. Non alimentabile. Utilizzabile con modulo 114790. __ oppure con centraline DALI IOT o DALI Professional.

**MODULE WITH DALI IOT PRESENCE DETECTOR
AND LIGHT SENSOR**
Complete with DALI sensor integrated in the cover and through wiring. Without plug-in. Mandatory for use with module 114790. __ or DALI IOT or DALI Professional control units.

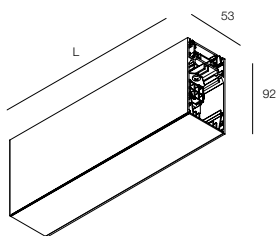
| | <input type="checkbox"/> | <input checked="" type="checkbox"/> | <input checked="" type="checkbox"/> | <input checked="" type="checkbox"/> | L (mm) |
|------------|--------------------------|-------------------------------------|-------------------------------------|-------------------------------------|--------|
| 114791. __ | 01 | 02 | 20 | 21 | 280 |



**MODULO CON SENSORE DI PRESENZA
E LUMINOSITA' DALI MID**
Completo di sensore DALI integrato nella cover e cablaggio passante. Non alimentabile. Utilizzabile con centralina DALI MID.

**MODULE WITH DALI MID PRESENCE DETECTOR
AND LIGHT SENSOR**
Complete with DALI sensor integrated in the cover and through wiring. Without plug-in. Can be used with DALI MID control unit.

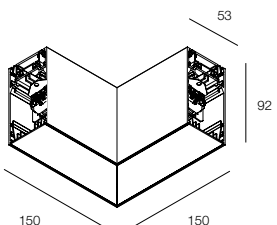
| | <input type="checkbox"/> | <input checked="" type="checkbox"/> | <input checked="" type="checkbox"/> | <input checked="" type="checkbox"/> | L (mm) |
|------------|--------------------------|-------------------------------------|-------------------------------------|-------------------------------------|--------|
| 114792. __ | 01 | 02 | 20 | 21 | 280 |



MODULO CIECO LINEARE
Completo di cablaggio passante e cover inferiore. Modulo L 280 mm non alimentabile.

LINEAR BLIND MODULE
Complete with through wiring and blind cover. Module L 280mm without plug-in.

| | <input type="checkbox"/> | <input checked="" type="checkbox"/> | <input checked="" type="checkbox"/> | <input checked="" type="checkbox"/> | L (mm) |
|------------|--------------------------|-------------------------------------|-------------------------------------|-------------------------------------|--------|
| 114785. __ | 01 | 02 | 20 | 21 | 280 |
| 114786. __ | 01 | 02 | 20 | 21 | 1120 |
| 114787. __ | 01 | 02 | 20 | 21 | 1400 |
| 114788. __ | 01 | 02 | 20 | 21 | 1680 |

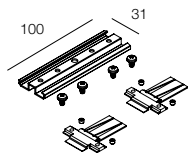


MODULO CIECO a L
Completo di cablaggio passante e cover inferiore. Non alimentabile.

L BLIND MODULE
Complete with through wiring and blind cover. Without plug-in.

| | <input type="checkbox"/> | <input checked="" type="checkbox"/> | <input checked="" type="checkbox"/> | <input checked="" type="checkbox"/> | L (mm) |
|------------|--------------------------|-------------------------------------|-------------------------------------|-------------------------------------|---------|
| 114789. __ | 01 | 02 | 20 | 21 | 150x150 |

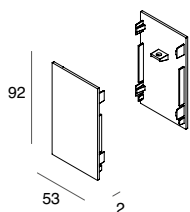
NEW



KIT DI GIUNZIONE LINEARE

LINEAR JUNCTION KIT

108940.99

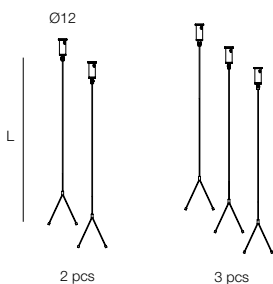


TESTATE TERMINALI (2 pz)

END CAPS (2 pcs)



1087B1. __ 01 02 20 21



CAVI DI SOSPENSIONE

Prevedere kit 2 pz per profili lineari fino a L 2240 mm; kit 3 pz per profili L 2520 mm, L 2800 mm e angolare; non richiesti per profili L 280 mm e cieco a L.

SUSPENSION CABLES

Provide 2-pc kits for linear profiles up to L 2240 mm; 3-pc kits for L 2520 mm, L 2800 mm and corner profiles; not required for L 280 mm profiles and L-shaped blind modules.

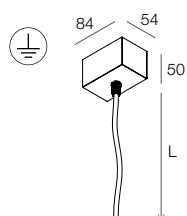
pcs. L (mm)

114794.99 2 1200

114795.99 2 3000

114796.99 3 1200

114797.99 3 3000



KIT DI ALIMENTAZIONE

Cavo con guaina trasparente

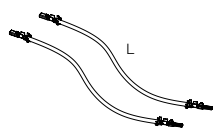
POWER SUPPLY KIT

Cable with transparent sheath

□ ■ ● ● L (mm) Cavo/Cable (mm²)

108920. __ 01 02 20 21 3000 3x1,5

108922. __ 01 02 20 21 3000 5x1,5



KIT CABLAGGIO PASSANTE
EMERGENZA

Per collegare il modulo in emergenza, installato in fila continua, al punto di alimentazione. Prevederne uno di idonea lunghezza per ciascun modulo che precede quello in emergenza.

EMERGENCY THROUGH-WIRING KIT

For connecting the emergency module, installed in a continuous row, to the power supply point. One kit of suitable length is required for each module preceding the emergency unit.

L (mm) FOR PROFILES (mm)

108941.99 1400 280, 840, 1120, 1400, 150x150, 594x594

108942.99 1960 1680, 1960

108943.99 2800 2240, 2520, 2800