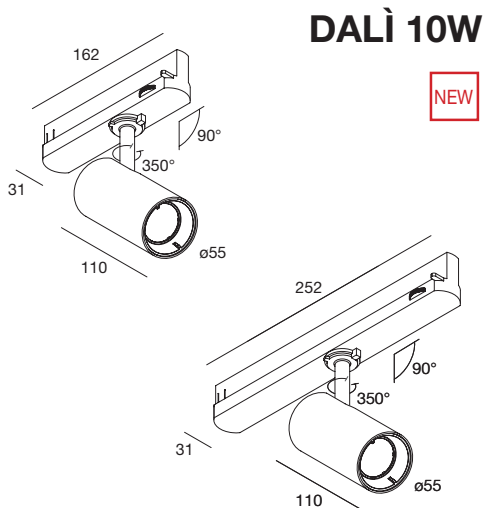


DALÌ

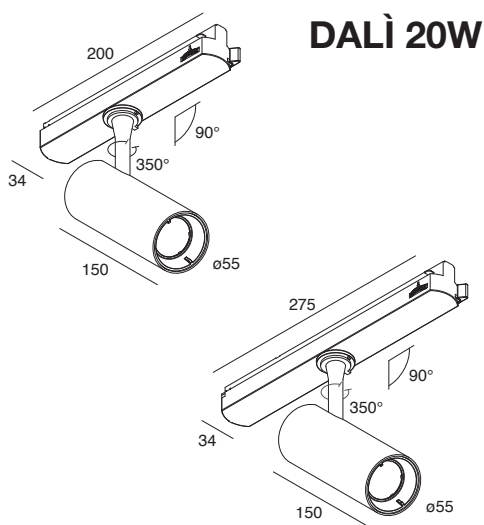
Spot LED orientabile per installazione a soffitto su binario elettrificato All-Track.
 Ottiche intercambiabili 15° e 38°.
 Corpo in lega di alluminio estruso verniciato a polvere, anello nero in tecnopolimero (incluso) e verniciato nella versione oro (opzionale).
 Lente in policarbonato, adattatore plastico per binario incluso.
 Alimentatore elettronico o dimmerabile DALI integrato nell'adattatore.

Adjustable spotlight for ceiling installation on electrified All-Track.
 Interchangeable optics 15° and 38°.
 Body made of powder coated aluminium alloy, technopolymer black ring (included) and gold painted version (optional).
 Lens in polycarbonate, integrated plastic adaptor for track.
 Electronic or dimmable DALI driver integrated into the adaptor.



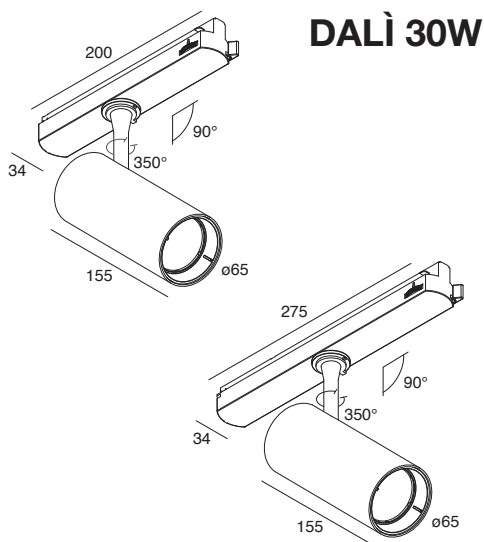
POWER	BEAM	FLUX	3000K	FLUX	4000K
10W	15° 38°	1078 lm	106122.01	1189 lm	106123.01

POWER	BEAM	FLUX	3000K	FLUX	4000K
10W	15° 38°	1078 lm	106124.01	1189 lm	106125.01



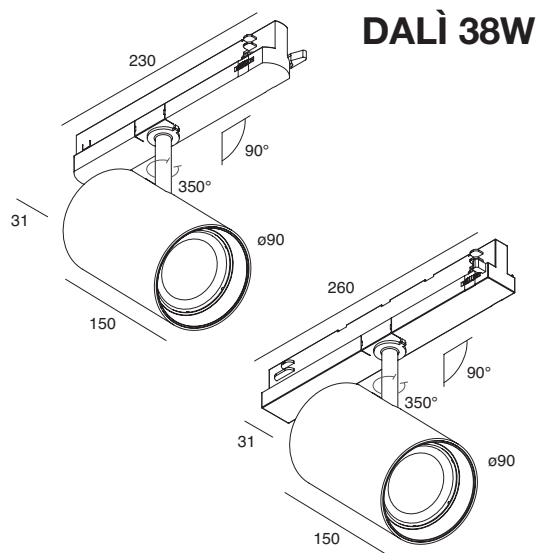
POWER	BEAM	FLUX	3000K	FLUX	4000K
20W	15° 38°	1632 lm 1651 lm	106101.01	1744 lm 1767 lm	106105.01

POWER	BEAM	FLUX	3000K	FLUX	4000K
20W	15° 38°	1632 lm 1651 lm	106103.01	1744 lm 1767 lm	106107.01



POWER	BEAM	FLUX	3000K	FLUX	4000K
30W	15° 38°	2329 lm 2356 lm	106102.01	2516 lm 2546 lm	106106.01

POWER	BEAM	FLUX	3000K	FLUX	4000K
30W	15° 38°	2329 lm 2356 lm	106104.01	2516 lm 2546 lm	106108.01



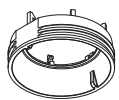
DALI 38W

POWER	BEAM	FLUX	3000K	4000K
38W	15° 38°	4142 lm 4221 lm	<input type="checkbox"/> <input checked="" type="checkbox"/>	<input type="checkbox"/> <input checked="" type="checkbox"/>
			106115.01	106117.01
			.02	.02

DALI				
POWER	BEAM	FLUX	3000K	4000K
38W	15° 38°	4142 lm 4221 lm	<input type="checkbox"/> <input checked="" type="checkbox"/>	<input type="checkbox"/> <input checked="" type="checkbox"/>
			106116.01	106118.01
			.02	.02

DALI

ACCESSORI ACCESSORIES

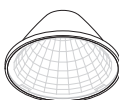


ANELLO DECORATIVO ORO
opzionale

DECORATIVE GOLD RING
optional

CODE VERSION

106128.15	10W
106109.15	20W
106110.15	30W
106120.15	38W



LENTE 55° - opzionale

LENS 55° - optional

CODE VERSION

106126.00	10W
106113.00	20W
106114.00	30W
106119.00	38W



SCHERMO A NIDO D'APE
anti-abbagliamento con ghiera in
alluminio verniciato - Ø 52 mm

HONEYCOMB ANTI-GLARE
ACCESSORY with painted aluminum
ring - Ø 52 mm

CODE VERSION

106127.02	10W
106111.02	20W
106112.02	30W
106121.02	38W