

HERO PLUS

114691.20

novalux
ITALIAN LIGHTING DESIGN SINCE 1948



Features

Use: Indoor

Type of installation: WALL, RECESSED INTO PLASTERBOARD, SUSPENDED, CEILING MOUNTED, TRACK

Colour: CAFFE

Dimming: DALI2

L: 280mm

A: 53mm

H: 69mm

Made in: ITALY

Warranty: 5 years

Weight: 1.5kg

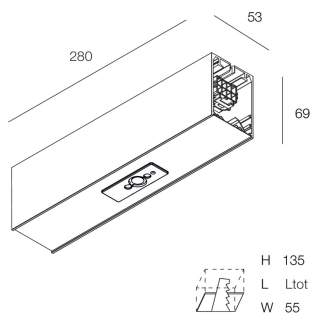
Tech data

IP: 40

Insulation class: I

SELV: No

[HERO PLUS: View more product info](#)



Novalux S.r.l. via Marzabotto, 2 40050 Funo di Argelato (BO) Italy
Tel: +39 051 860558 · Fax +39 051 6647859 · Mail: info@novalux.it · VAT number 00536541204 · novalux.com
Company subject to the management and coordination by SLV GmbH

This technical data sheet is owned by Novalux S.r.l., all rights reserved. Novalux S.r.l. reserves the right to make changes without prior notice.
Last update: 29/5/2026, 16:25:50

HERO PLUS

114691.20

novalux
ITALIAN LIGHTING DESIGN SINCE 1948

COMPLETION ACCESSORIES

	HERO+: KIT DI GIUNZIONE PROFILI 1PZ	108940.99
	HERO: COPPIA TESTATE CAF	108684.20
	HERO+: MOD.CIECO 280 CAF	114685.20
	HERO+: MOD.CIECO 1120 CAF	114686.20
	HERO+: MOD.CIECO 1400 CAF	114687.20
	HERO+: MOD.CIECO 1680 CAF	114688.20
	HERO+: MOD.CIECO ANG. SX DX 150 CAF	114689.20

MOUNTING ACCESSORIES

	HERO: SOSPL.3000 1PZ TESTA W.G.ALTO	1086A1.99
	HERO+: SOSP L.3M REGOLA. DAL BASSO 1PZ	114694.99
	HERO: KIT INCASSO LED (1X)	108688.99



Novalux S.r.l. via Marzabotto, 2 40050 Funo di Argelato (BO) Italy
Tel: +39 051 860558 · Fax +39 051 6647859 · Mail: info@novalux.it · VAT number 00536541204 · novalux.com
Company subject to the management and coordination by SLV GmbH

This technical data sheet is owned by Novalux S.r.l., all rights reserved. Novalux S.r.l. reserves the right to make changes without prior notice.
Last update: 29/5/2026, 16:25:50

HERO PLUS

114691.20

novalux
ITALIAN LIGHTING DESIGN SINCE 1948



HERO: SPESS. CARTONG. 10MM 2PZ.

108689.99



KIT ALIMENTAZIONE L3000 5P BIA

108922.01



KIT ALIMENTAZIONE L3000 5P NE

108922.02



KIT ALIMENTAZIONE L3000 5P CAF

108922.20



KIT ALIMENTAZIONE L3000 5P CAP

108922.21

EMERGENCY ACCESSORIES



HERO+: KIT 2 CAVI 1X1.5 EMERGE. L.1400

108941.99



Novalux S.r.l. via Marzabotto, 2 40050 Funo di Argelato (BO) Italy
Tel: +39 051 860558 · Fax +39 051 6647859 · Mail: info@novalux.it · VAT number 00536541204 · novalux.com
Company subject to the management and coordination by SLV GmbH

This technical data sheet is owned by Novalux S.r.l., all rights reserved. Novalux S.r.l. reserves the right to make changes without prior notice.
Last update: 29/5/2026, 16:25:50