

# HERO PLUS

114691.02

**novalux**  
ITALIAN LIGHTING DESIGN SINCE 1948



## Features

Use: Indoor

Type of installation: WALL, RECESSED INTO PLASTERBOARD, SUSPENDED, CEILING MOUNTED, TRACK

Colour: BLACK

Dimming: DALI2

L: 280mm

A: 53mm

H: 69mm

Made in: ITALY

Warranty: 5 years

Weight: 1.5kg

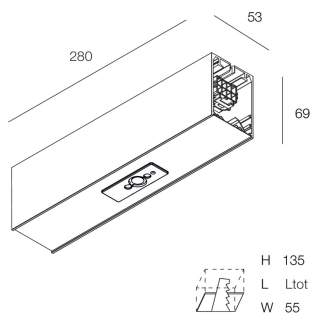
## Tech data

IP: 40

Insulation class: I

SELV: No

[HERO PLUS: View more product info](#)



Novalux S.r.l. via Marzabotto, 2 40050 Funo di Argelato (BO) Italy  
Tel: +39 051 860558 · Fax +39 051 6647859 · Mail: info@novalux.it · VAT number 00536541204 · novalux.com  
Company subject to the management and coordination by SLV GmbH

This technical data sheet is owned by Novalux S.r.l., all rights reserved. Novalux S.r.l. reserves the right to make changes without prior notice.  
Last update: 29/5/2026, 16:25:50

# HERO PLUS

114691.02

**novalux**  
ITALIAN LIGHTING DESIGN SINCE 1948

## COMPLETION ACCESSORIES

	HERO+: KIT DI GIUNZIONE PROFILI 1PZ	<b>108940.99</b>
	HERO: COPPIA TESTATE NE	<b>108684.02</b>
	HERO+: MOD.CIECO 280 NE	<b>114685.02</b>
	HERO+: MOD.CIECO 1120 NE	<b>114686.02</b>
	HERO+: MOD.CIECO 1400 NE	<b>114687.02</b>
	HERO+: MOD.CIECO 1680 NE	<b>114688.02</b>
	HERO+: MOD.CIECO ANG. SX DX 150 NE	<b>114689.02</b>

## MOUNTING ACCESSORIES

	HERO: SOSPL.3000 1PZ TESTA W.G.ALTO	<b>1086A1.99</b>
	HERO+: SOSP L.3M REGOLA. DAL BASSO 1PZ	<b>114694.99</b>
	HERO: KIT INCASSO LED (1X)	<b>108688.99</b>



Novalux S.r.l. via Marzabotto, 2 40050 Funo di Argelato (BO) Italy  
Tel: +39 051 860558 · Fax +39 051 6647859 · Mail: info@novalux.it · VAT number 00536541204 · novalux.com  
Company subject to the management and coordination by SLV GmbH

This technical data sheet is owned by Novalux S.r.l., all rights reserved. Novalux S.r.l. reserves the right to make changes without prior notice.  
Last update: 29/5/2026, 16:25:50

# HERO PLUS

114691.02

**novalux**  
ITALIAN LIGHTING DESIGN SINCE 1948



HERO: SPESS. CARTONG. 10MM 2PZ.

**108689.99**



KIT ALIMENTAZIONE L3000 5P BIA

**108922.01**



KIT ALIMENTAZIONE L3000 5P NE

**108922.02**



KIT ALIMENTAZIONE L3000 5P CAF

**108922.20**



KIT ALIMENTAZIONE L3000 5P CAP

**108922.21**

## EMERGENCY ACCESSORIES



HERO+: KIT 2 CAVI 1X1.5 EMERGE. L.1400

**108941.99**



Novalux S.r.l. via Marzabotto, 2 40050 Funo di Argelato (BO) Italy  
Tel: +39 051 860558 · Fax +39 051 6647859 · Mail: info@novalux.it · VAT number 00536541204 · novalux.com  
Company subject to the management and coordination by SLV GmbH

This technical data sheet is owned by Novalux S.r.l., all rights reserved. Novalux S.r.l. reserves the right to make changes without prior notice.  
Last update: 29/5/2026, 16:25:50