

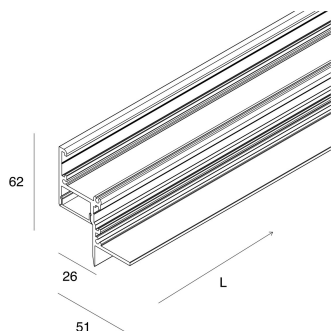
Features

Use: Indoor
Type of installation: RECESSED INTO PLASTERBOARD
Emission: DIRECT
Optics: OPAL
L: 50.5mm
H: 61.5mm
Made in: ITALY
Warranty: 5 years
Weight: 3.75kg

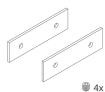
Tech data

IP: 40

[View more product info](#)

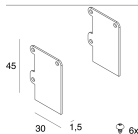


COMPLETION ACCESSORIES



P-25/40: KIT GIUNZIONE PROFILI

103003.99



P-25: COPPIA TESTATE DI CHIUSURA PROFILO

106802.99